

Instructions For Following Product(s)

- All standard Highline 50 Credenzas

Product(s) Required But Ordered Separately

- None

Related Instructions

- 02D00018 - Cabinet Door Hinge
- 02D00021 - Cabinet Drawer Slide
- 02D00020 - Cabinet Trash Drawer

Tools Required



Driver\Drill Gun



Tape Measure

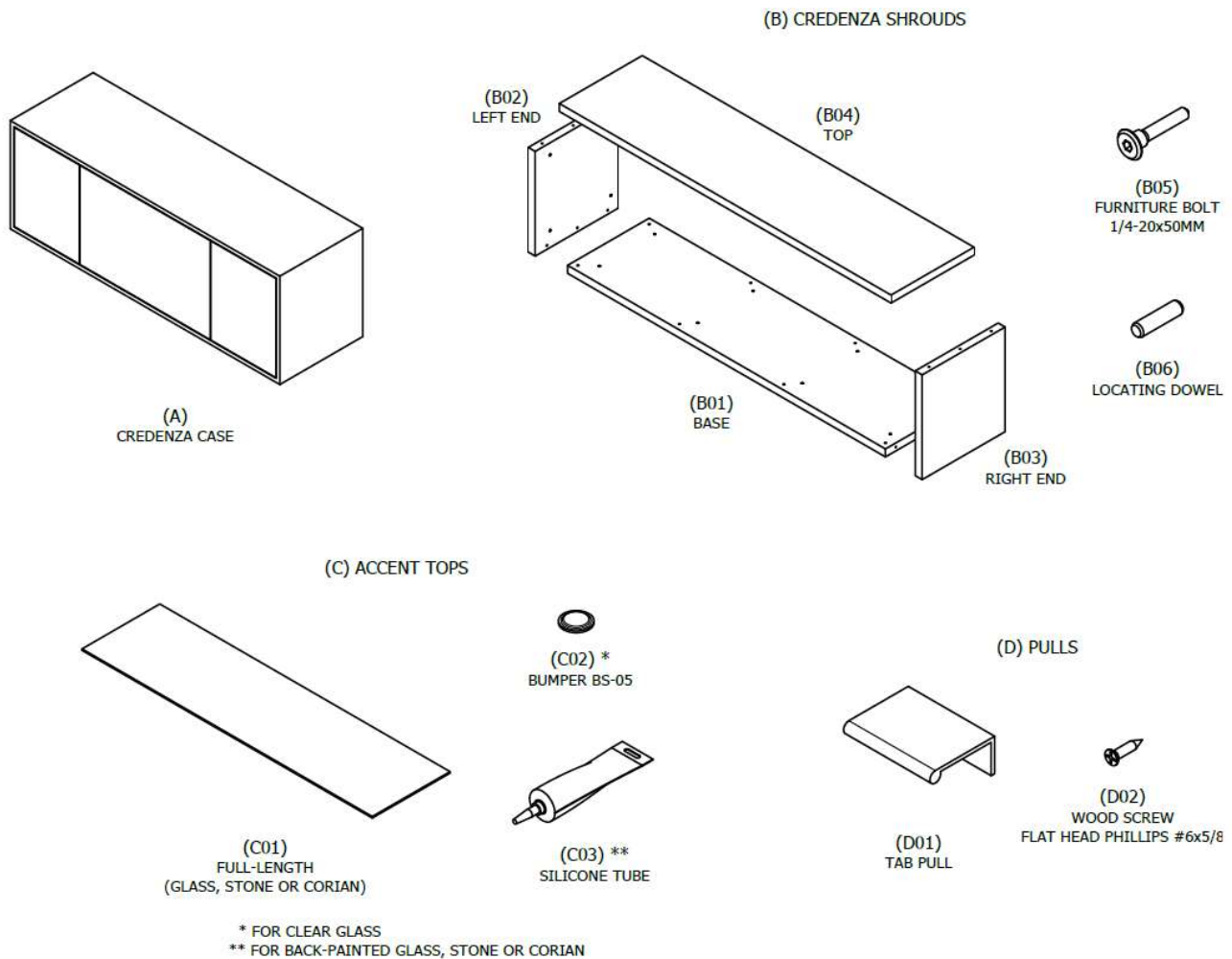


Internal Hex Socket,
3/16"



Screwdriver,
Flat Head

In The Box (Supplied By DatesWeiser)



Door & Drawer Removal

Note:

For ease of assembly, it's strongly recommended to remove any Doors or Drawers before you begin assembly.

- For details on Door removal, see instruction 02D00018.
- For details on Drawer removal, see instruction 02D00021.
- For details on Trash removal, see instruction 02D00020.

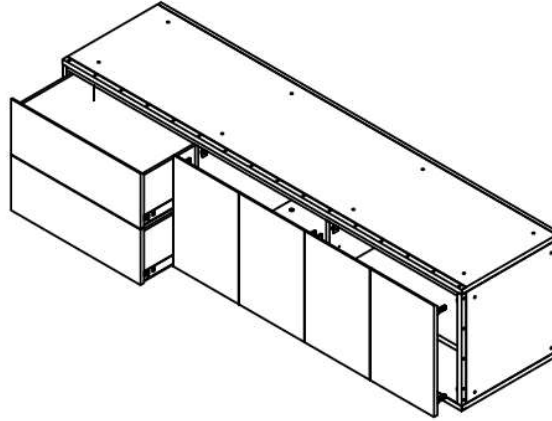


FIG. 01:
DOOR & DRAWER REMOVAL

Case & Shroud Assembly

Note:

Completely assembled Credenzas are typically very heavy. Starting the assembly process as close as possible to its final position will make any re-positioning post assembly easier.

1. Position Base Shroud (B01) as close as possible to the Credenza's final position and level. See Figure 02.
2. Place Case Assembly (A) onto Base Shroud (B01), positioned flush on ends and back. See Figure 03.
3. Using Furniture Bolt (B05), **LOOSELY** attach Case Assembly (A) to Base Shroud (B01). See Figure 03.
4. Insert Locating Dowels (B06) into pre-drilled holes on end edges of Base Shroud (B01). See Figure 03.
5. Using furniture Bolt (B05), **LOOSELY** assemble End Shrouds (B02 & B03) to Case Assembly (A). See Figure 03.
6. Insert Locating Dowels (B06) into pre-drilled holes on top edges of End Shrouds (B02 & B03). See Figure 03.
7. Using furniture Bolt (B05), **LOOSELY** assemble Top Shroud (B04) to Case Assembly (A). See Figure 03.
8. With all Shrouds now loosely assembled, tighten all Furniture Bolts taking care to make sure all corners and edges are flush and square. Then verify Credenza Case and Shroud assembly is in its final position.

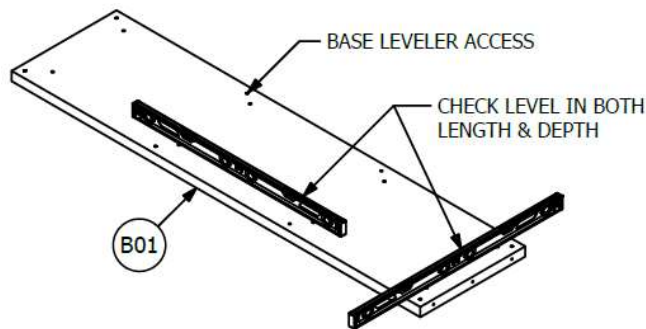


FIG. 02:
SHROUD BASE POSITION & LEVEL

Case & Shroud Assembly

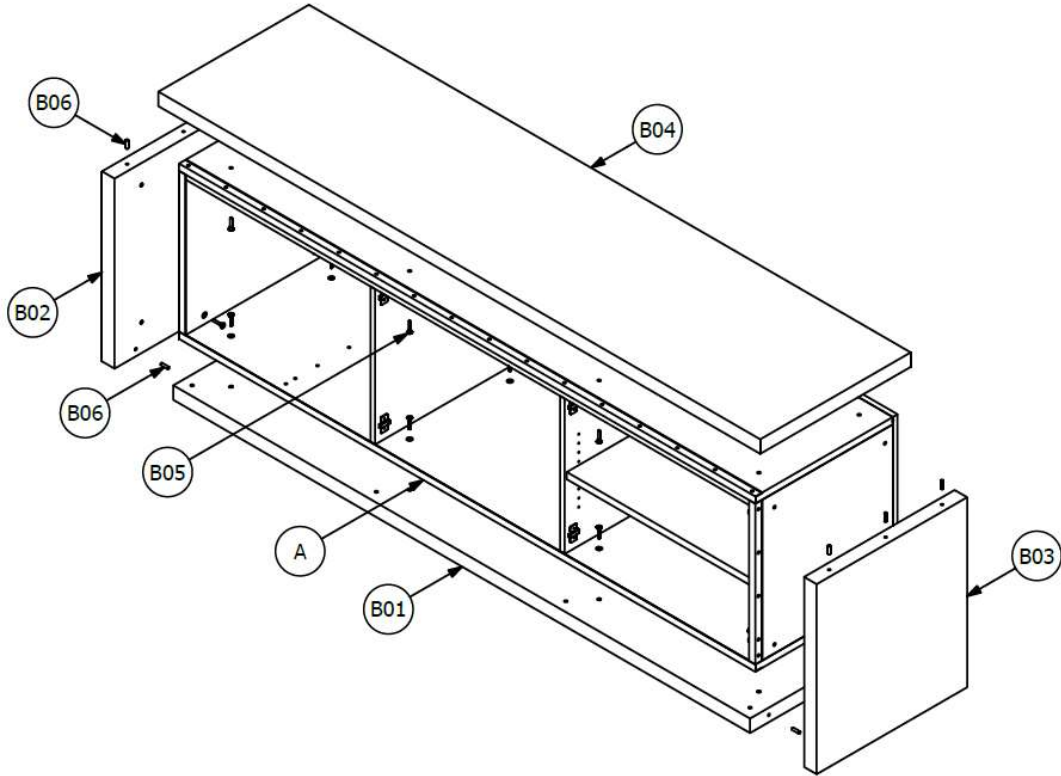


FIG. 03:
CASE & SHROUD ASSEMBLY

Door & Drawer Re-Assembly

- For details on Door removal, see instruction 02D00018.
- For details on Drawer removal, see instruction 02D00021.
- For details on Trash removal, see instruction 02D00020.

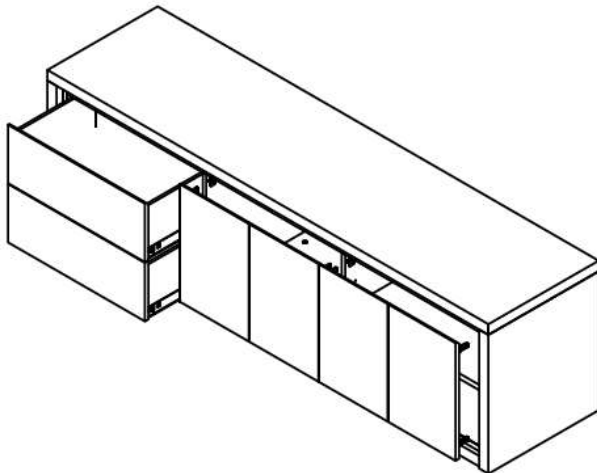


FIG. 04:
DOOR & DRAWER RE-ASSEMBLY

Pull Assembly (If Equipped)

Note:

Skip forward to "Full-Length Top" if Credenza is not equipped with Pulls.

1. Using Wood Screw D02, attach Pulls (D01) to Drawer Fronts. See Figure 05.

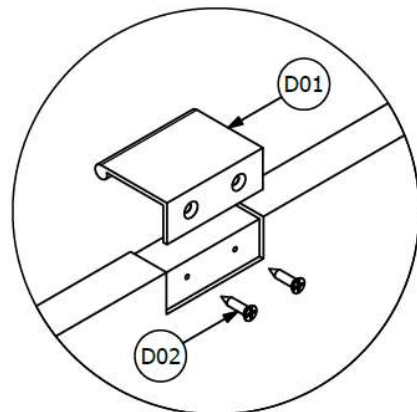


FIG. 05:
TAB PULL ASSEMBLY

Full-Length Top (If Equipped)

Note:

Assembly is complete if Credenza is not equipped with an Accent Top.

Clear Glass Only

1. Peel and stick Bumpers (C02), placing one in each corner of the Credenza inset approximately 2" to the center of the Bumper. Then (Spaced equally) stick the remaining bumpers along the length of the Credenza. See Figure 06.
2. Place Clear Glass Top (C01) on Bumpers, centered on Credenza and inset 1" on all sides. See Figure 06.

Back-Painted Glass, Stone or Corian

1. Using small dabs of Silicone (C03) around the perimeter, secure Top (C01) centered on Credenza and inset 1" on all sides. See Figure 06.

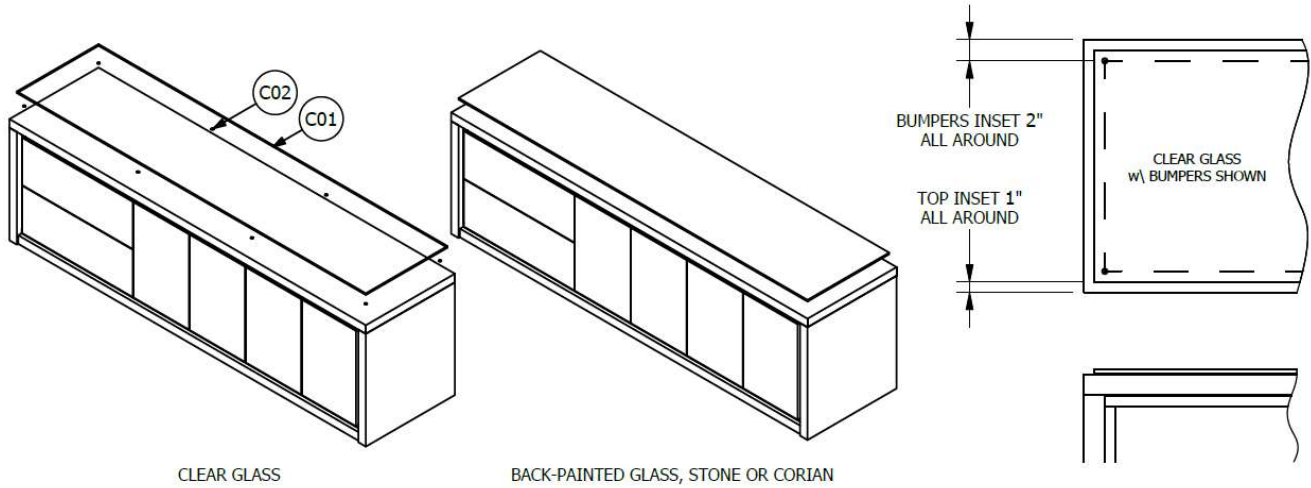


FIG. 06:
FULL-LENGTH TOP