

CLAW TABLE

GEIGER

Right ON SITE

Installation Principles

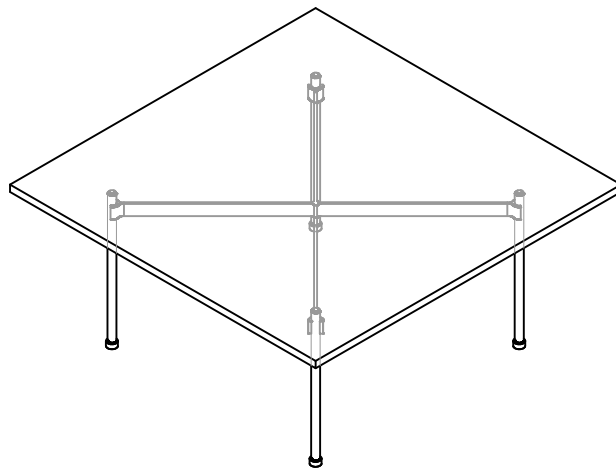
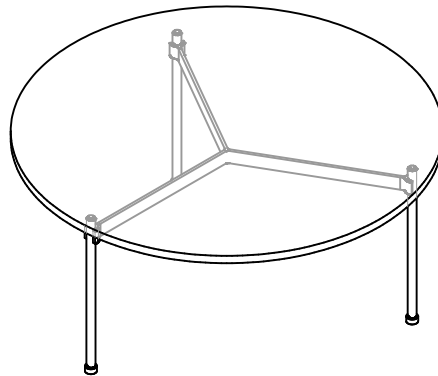
ROS-CT Claw Table

1BC4MK

Note: Details apply, however the actual configuration of your product may vary from what is depicted here.

Tools Required

- o Level



ROS-CT Claw Table

1BC4MK

Note: Details apply, however the actual configuration of your product may vary from what is depicted here.

1. Apply Bumpers, Set Glass and Level
 - A. Set table base in final location.
 - B. Peel sticky back from plastic bumpers (Part # 51081) and apply bumpers to the top of each leg.
 - C. Set glass on base, centering glass over base.
 - D. Level table

