

ROS-GSS Geiger Shelf

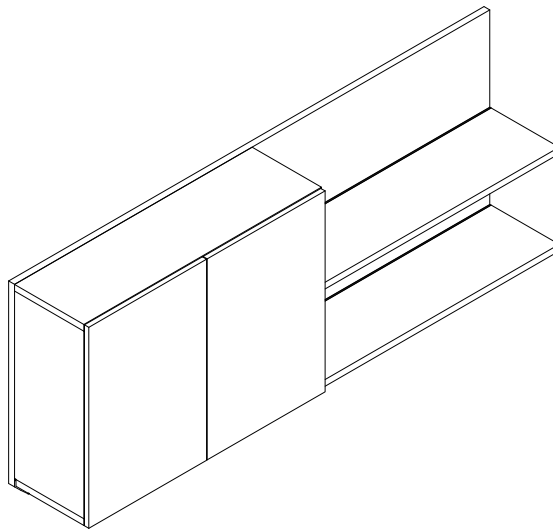
1BDC75

Note: Details apply, however the actual configuration of your product may vary from what is depicted here.

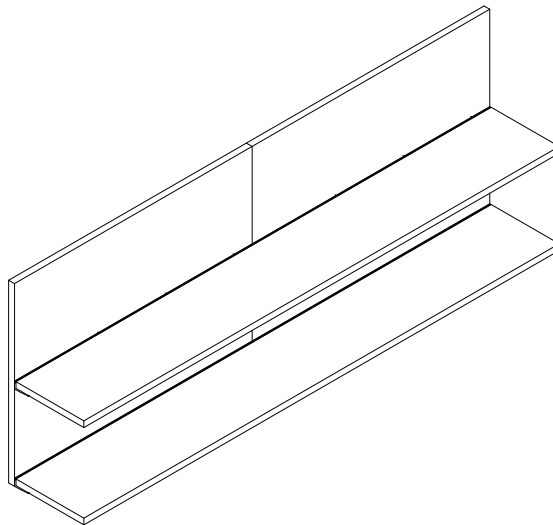
Tools Required

- o Installation drawing of product layout
- o Cordless drill
- o #2 & #3 Philips or Robertson Drill bits
- o Level
- o Measuring Tape

Geiger Shelf with
Single Back Panel,
Shelves and
Overhead



Geiger Shelf with
Multiple, Vertical
Grain Back Panels
and Shelving



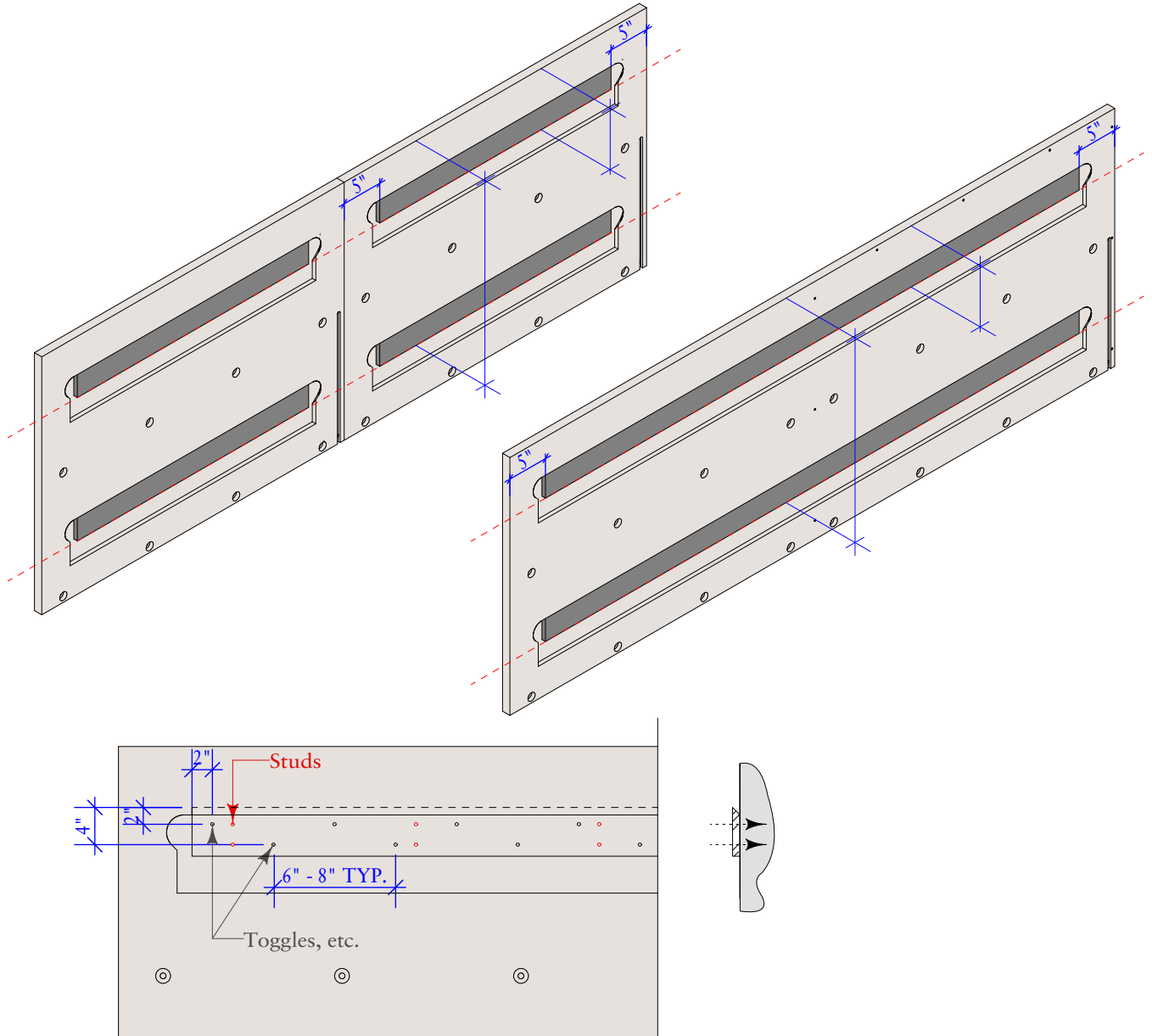
ROS-GSS Geiger Shelf

1BDC75

Note: Details apply, however the actual configuration of your product may vary from what is depicted here.

1. Mount Hanging Cleats

- Measure from the top of the back panel to the bottom of the hanging cleat(s).
- Remove the hanging cleat(s) from the back of the panel.
- Starting from the highest point of the floor, measure up to the top of where the panel will be located minus the measurements taken in Step A. This locates the bottom of the hanging cleat(s). Mark a level line at this point. The hanging cleat is 10" shorter than the width of the panel, so the cleat should be located 5" in from the end, side to side.
- Drill the hanging cleat (wall attached portion) for the mounting hardware i.e., screws, toggle bolts, etc. The first screws and/or toggles should be started 2" down and 2" over from the top corner of the cleat on both sides. Stagger the rest 6-8" apart per the diagram below. The top row should be 2" down from the top of the cleat and the bottom row should be 4" down from the top of the cleat. In addition, locate studs and secure with two screws per stud. It is the responsibility of the installer to use appropriate fastening hardware for the existing conditions.



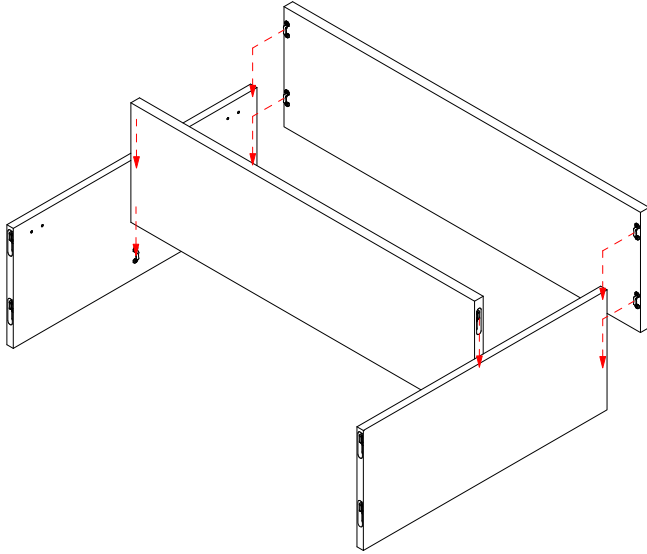
ROS-GSS Geiger Shelf

1BDC75

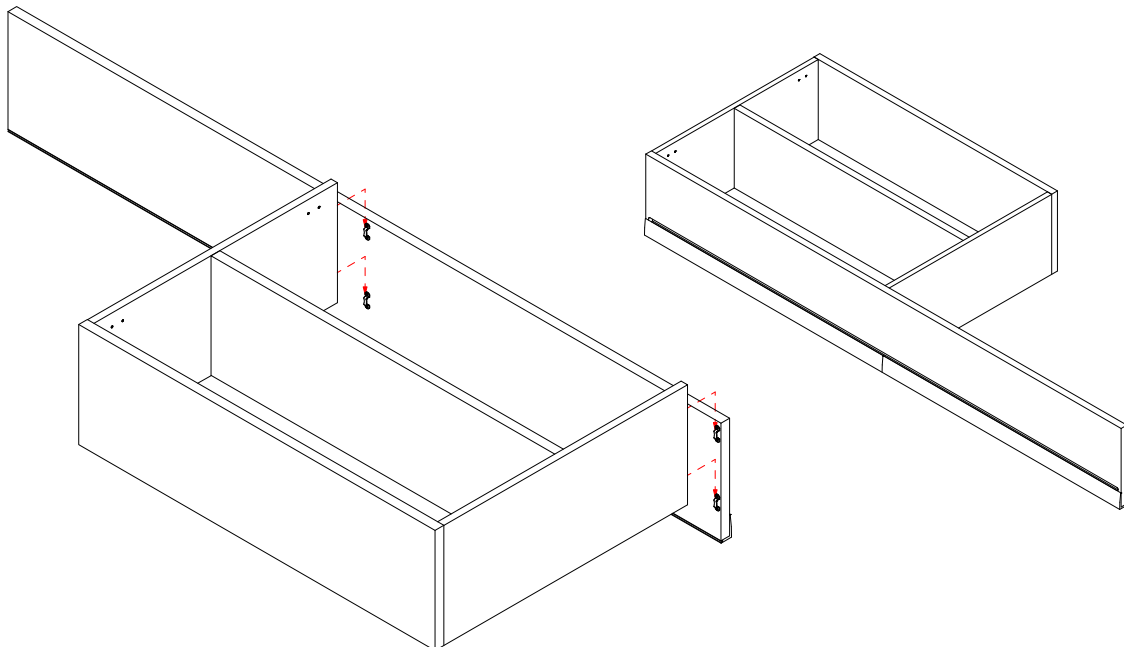
Note: Details apply, however the actual configuration of your product may vary from what is depicted here.

2. Attach Optional Overhead to Bottom Shelf

- A. Slide center shelf (if applicable) down onto end panel Modeez connectors.
- B. Slide top panel down onto top of end panels.



- C. Slide assembly onto lower shelf modeez connectors. Make sure all panels are aligned properly and flush.



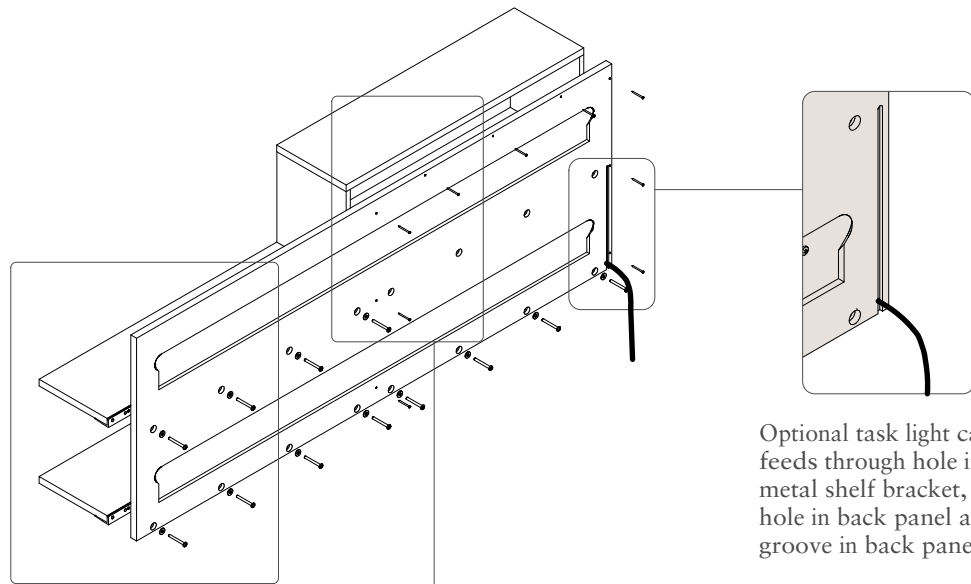
ROS-GSS Geiger Shelf

1BDC75

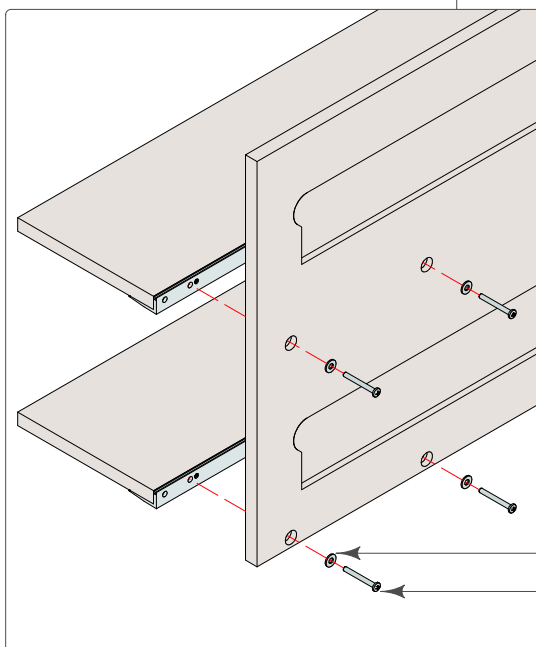
Note: Details apply, however the actual configuration of your product may vary from what is depicted here.

3. Mount Shelves and Optional Overhead to Back Panel

- A. Holding back panel upright, feed 5/16-18 x 2-3/4" machine screws (part # 1BDC70) through washers (part # 1BDC71), through pre-drilled holes in back panel.
- B. Move shelf(s) onto screws and tighten screws with washers, aligning holes in back of metal shelf brackets with screws.
- C. If applicable, fasten overhead end panels and top panel to back panel using #8 x 2" flat head wood screws (part # 50166).
- D. If task lights have been specified, feed task light cables through holes at end of panel. Press cables into slot at back of panel.

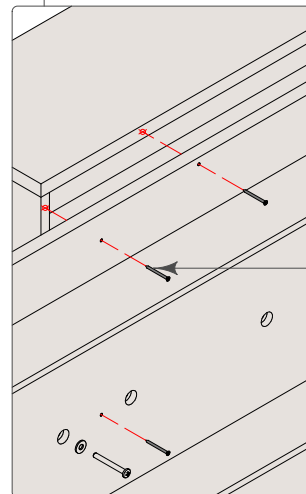


Optional task light cable feeds through hole in metal shelf bracket, through hole in back panel and down groove in back panel



7/8" washer (1BDC71)

5/16-18x2-3/4" machine screw (1BDC70)



#8 x 2" wood screw (50166) through pilot holes in back panel into top and end panels. Make sure overhead is square and plumb to back panel.

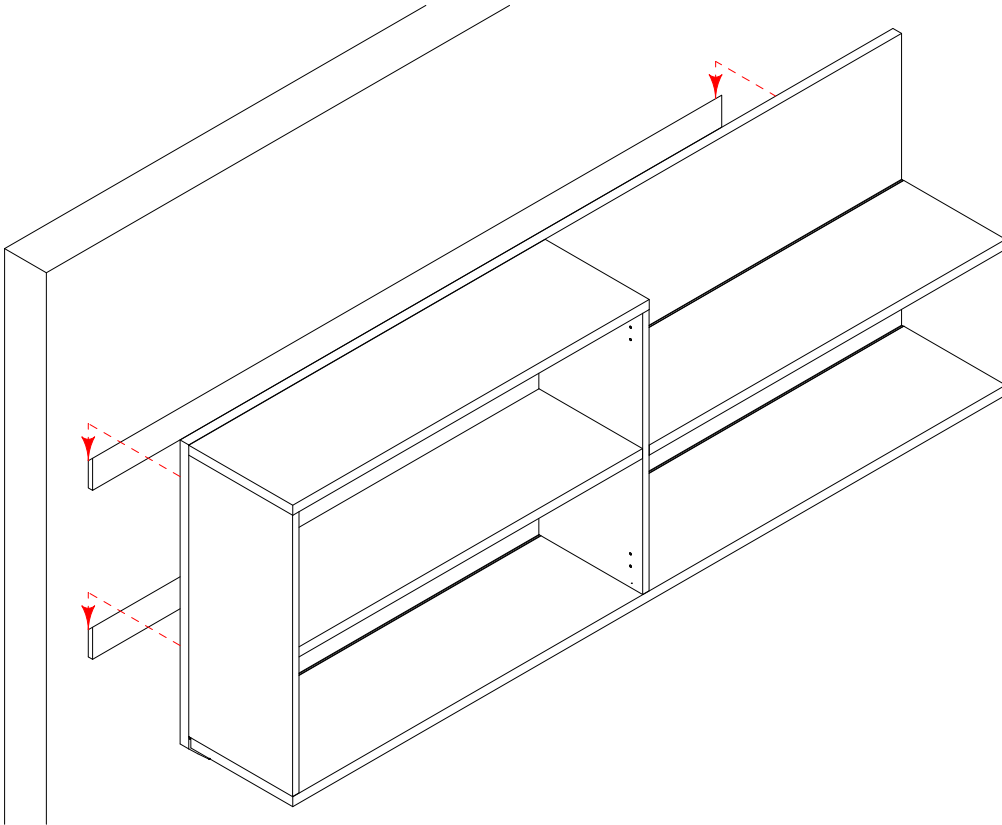
ROS-GSS Geiger Shelf

1BDC75

Note: Details apply, however the actual configuration of your product may vary from what is depicted here.

4. Mount Panel onto Hanging Cleats

- A. Lift back panel with shelves and overhead attached up and over hanging cleats until back panel fully seats onto hanging cleats.



5. Attach Overhead Doors if Applicable

- A. Clip Doors with hinges onto hinge brackets attached to overhead end panels. Adjust and align doors as required.



ROS-GSS Geiger Shelf

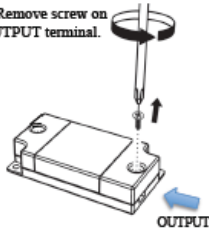
1BDC75

Note: Details apply, however the actual configuration of your product may vary from what is depicted here.

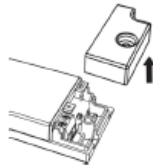
6. Connect Optional Task Light
 - A. Mate LED Dimmer Receiver to Remote Control. See instructions below.

MATING RECEIVER TO CONTROLLER

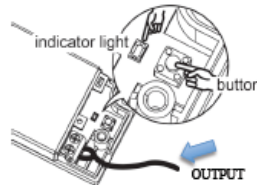
1. Remove screw on OUTPUT terminal.



2. Remove cover over OUTPUT terminal.



3. Connect the power, press the button until the indicator light comes on.



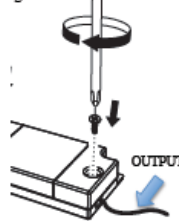
4. Wait 10 seconds and remove the plastic covering from controller battery.



5. Upon connection, the indicator light should turn off. *If the light does not go off, repeat steps 3-5.



6. Replace cover and ensure screw is properly tightened.



- B. Connect the LED light cable that exits through shelf and wall panel and down wall (1) to the LED Dimmer Receiver (2).
- C. Connect LED Dimmer Receiver (2) to LED Power Supply (3).
- D. Connect LED Power supply (3) to power outlet.

Note: You can connect up to eight LED light cables to the LED Dimmer Receiver. Both the LED Dimmer Receiver and the LED Power Supply should be fastened to the underside of a worksurface or another stable surface.

