

H-Frame Table

GEIGER

Right ON SITE

Installation Principles

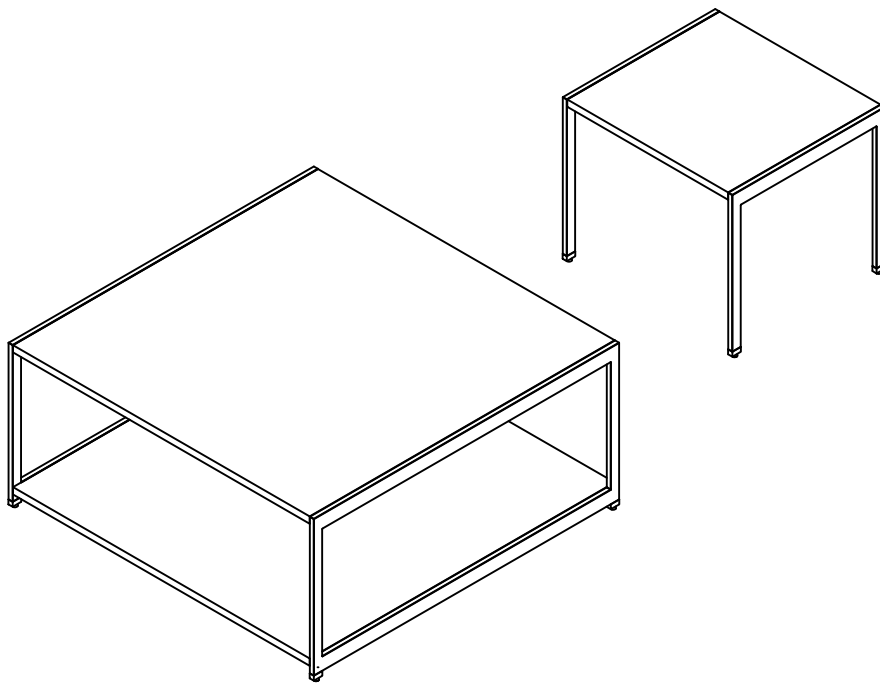
ROS-HFT H-Frame Table

1BC4ML

Note: Details apply, however the actual configuration of your product may vary from what is depicted here.

Tools Required

- o Level
- o Drill
- o #2 Philips bit



H-Frame Table

GEIGER

Right ON SITE

Installation Principles

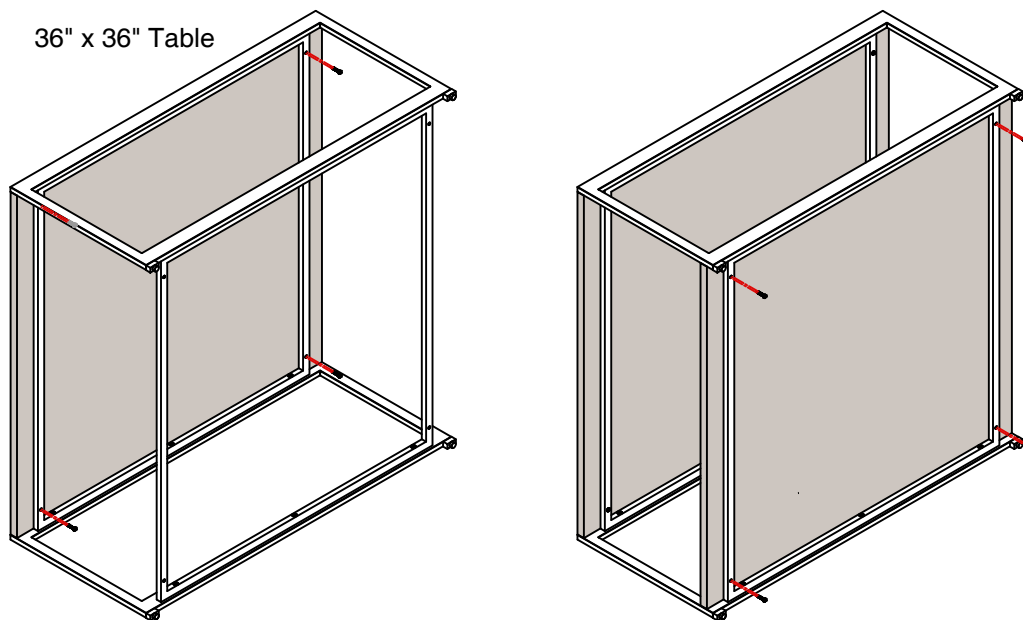
ROS-HFT H-Frame Table

1BC4ML

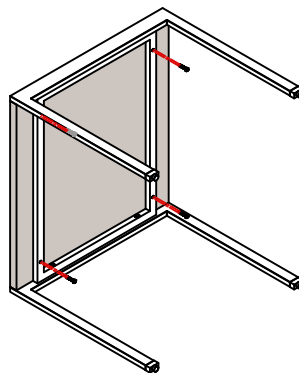
Note: Details apply, however the actual configuration of your product may vary from what is depicted here.

1A. Wood Top Tables

- A. Carefully flip table base onto its side on protected surface.
- B. Set upper wood top onto base as shown, fastening to base with (4x) #8 x 1" pan head wood screws.
- C. Set lower wood top onto base as shown, fastening to base with (4x) #8 x 1" pan head wood screws (36" x 36" table only).
- D. Carefully set assembled table upright, place in position on floor plan and level.



18" x 20" Table



H-Frame Table

GEIGER

Right ON SITE

Installation Principles

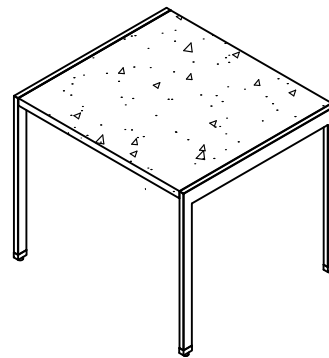
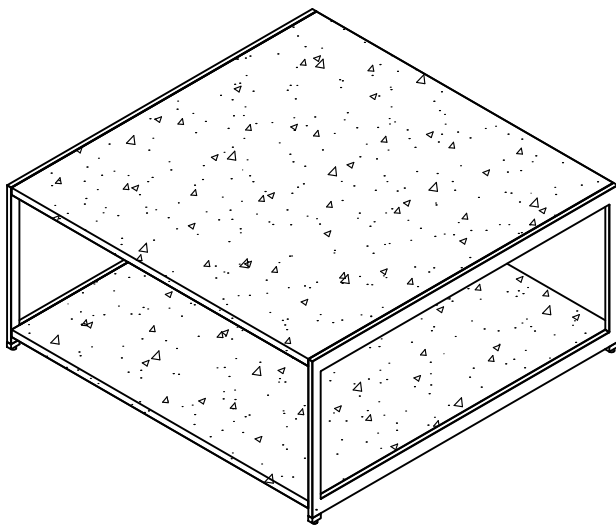
ROS-HFT H-Frame Table

1BC4ML

Note: Details apply, however the actual configuration of your product may vary from what is depicted here.

1B. Stone Top Tables

- A. Set upper and lower stone tops onto base as shown, no fastening required.
- B. Level.



H-Frame Table

GEIGER

Right ON SITE

Installation Principles

ROS-HFT H-Frame Table

1BC4ML

Note: Details apply, however the actual configuration of your product may vary from what is depicted here.

1A. Wood Top Tables

- A. Peel sticky back from plastic bumpers (Part # 51081) and apply bumpers over holes in base structure.
- B. Set lower glass top onto base as shown, resting atop rubber bumpers.
- C. Set upper glass top onto base as shown, resting atop rubber bumpers (36" x 36" table only).

