

# MP Height Adjustable

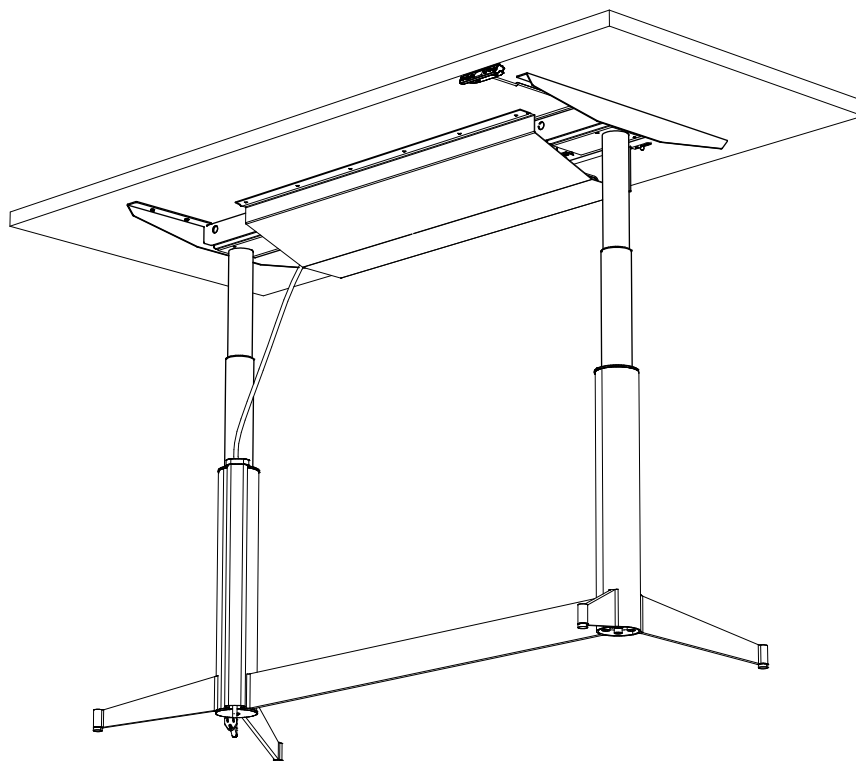
GEIGER

Right  ON SITE

*Installation Principles*

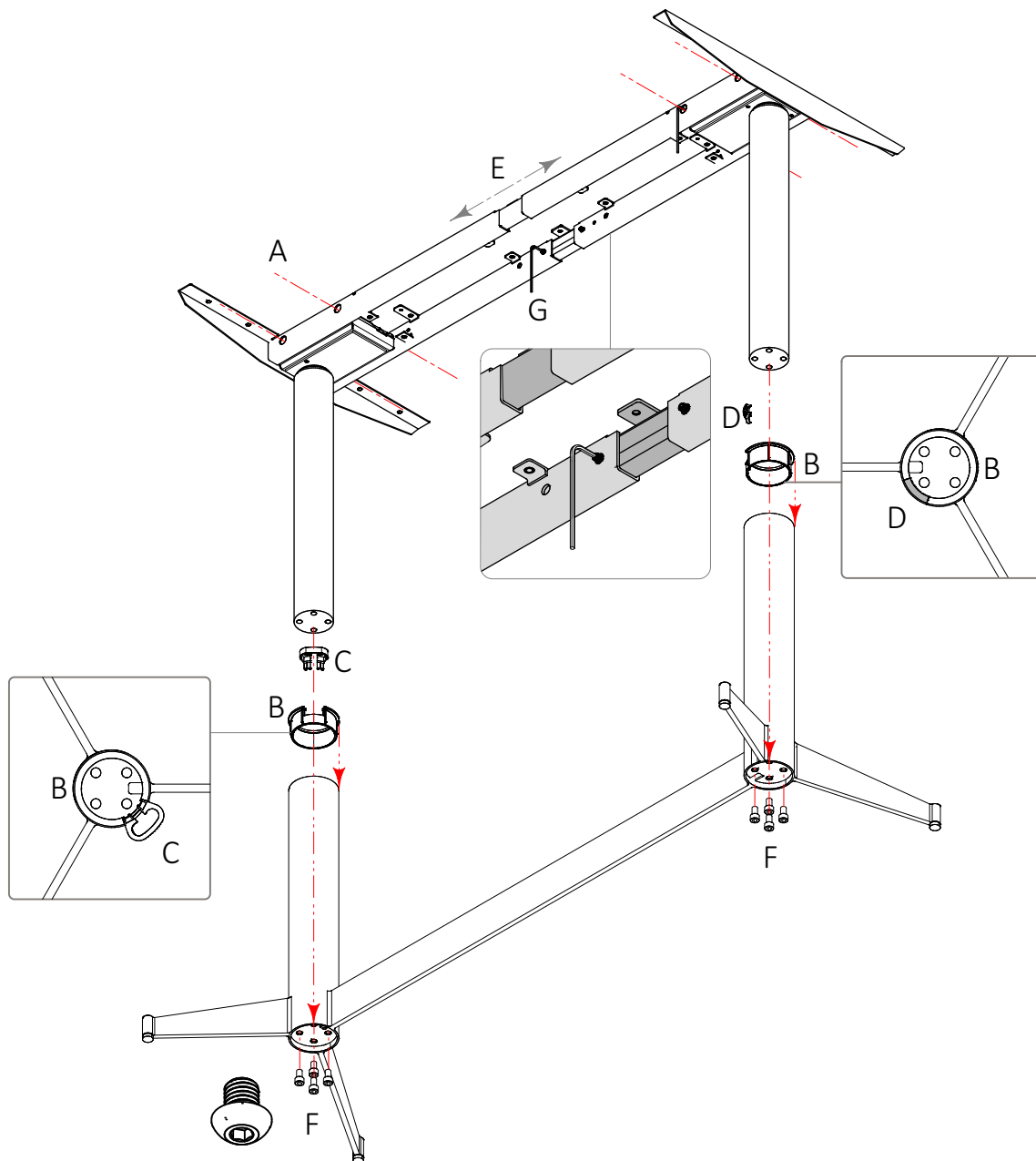
ROS-MPA MP Height Adjustable Tables

1BGRVV



## 1. Install Height Adjustable Mechanism and Frame

- A. Unfold height adjustable assembly and fasten legs to frame using allen wrench provided, eight screws total.
- B. Snap plastic base collar 1BC4S5 onto each base column, making sure the notch in collar is rotated roughly 45 degrees away from base strut.
- C. On one leg, insert wire manager collar 1BC4S7.
- D. On the other leg, insert plain collar 1BC4SB.
- E. Carefully insert height adjustable legs into base, expanding frame as required to fit within base.
- F. Fasten height adjustable legs to base using (8x) M10 x 12mm rounded head black machine screws (1BGP3S), making sure height adjustable legs are plumb. Do Not Use screws provided with height adjustable leg kit.
- G. Tighten four set screws, fastening C channels to end frames.



# MP Height Adjustable

Right ON SITE

GEIGER

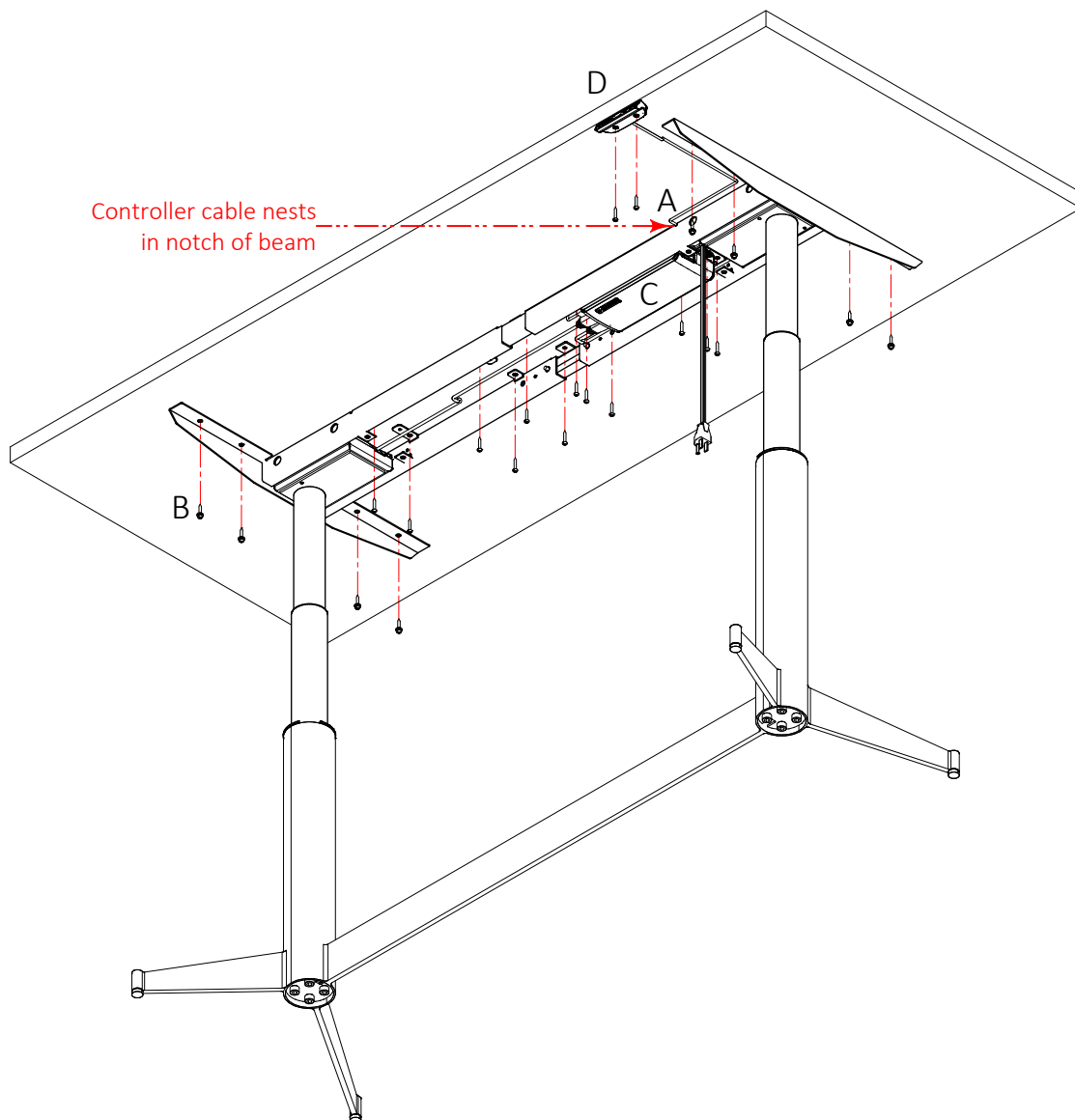
*Installation Principles*

ROS-MPA MP Height Adjustable Tables

1BGRVV

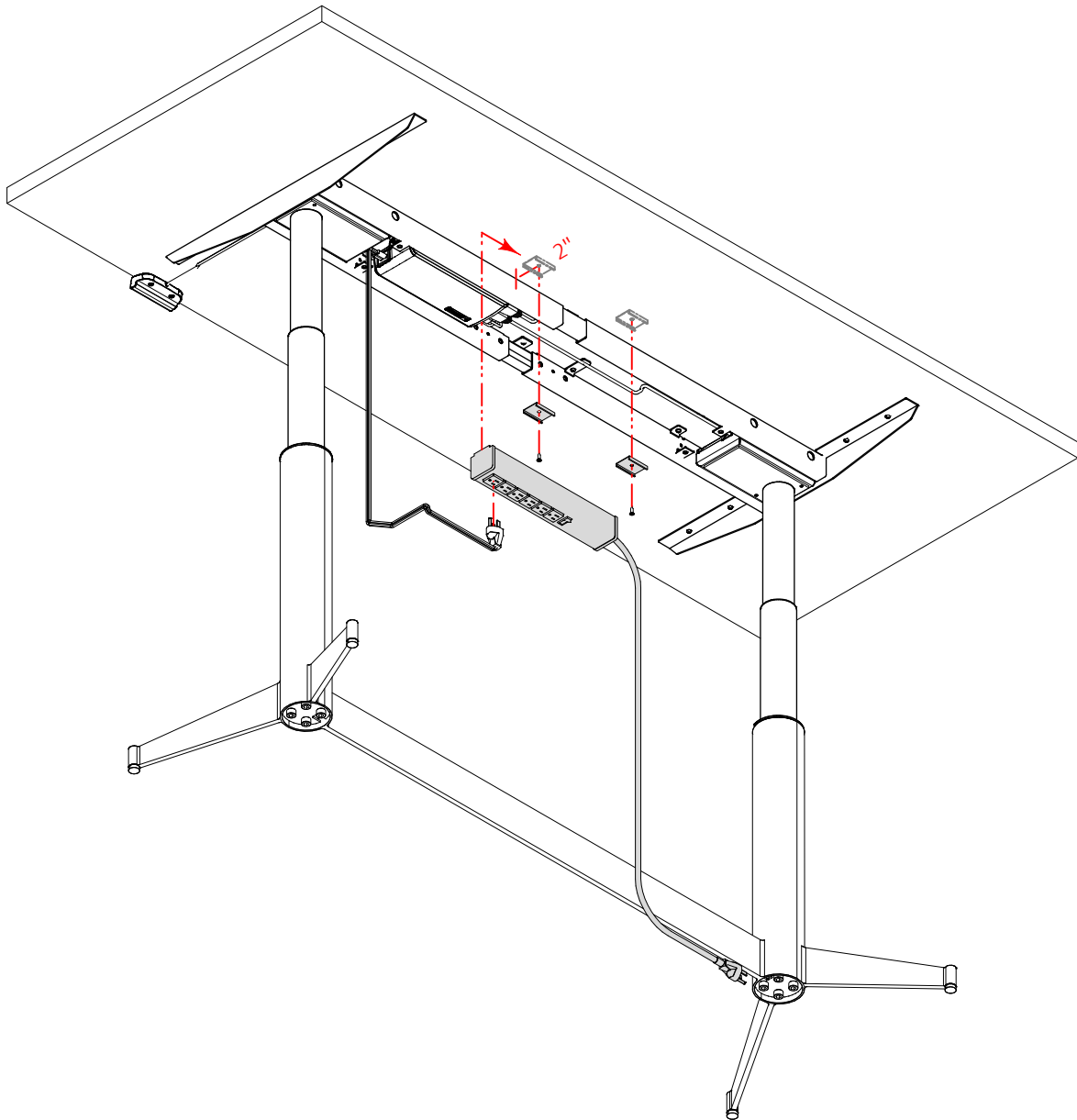
## 2. Install Top

- A. Center top over base, making sure controller cable sits within notch in frame.
- B. Attach base to top using #8 x 1" pan head wood screws (Part No. 50162) for wood tops or #8 x 5/8" pan head wood screws (Part No. 51238) for glass or stone with subtops.
- C. Attach height adjustable power module to top.
- D. Attach height adjustment controller to edge of top on right, on user's side of table.



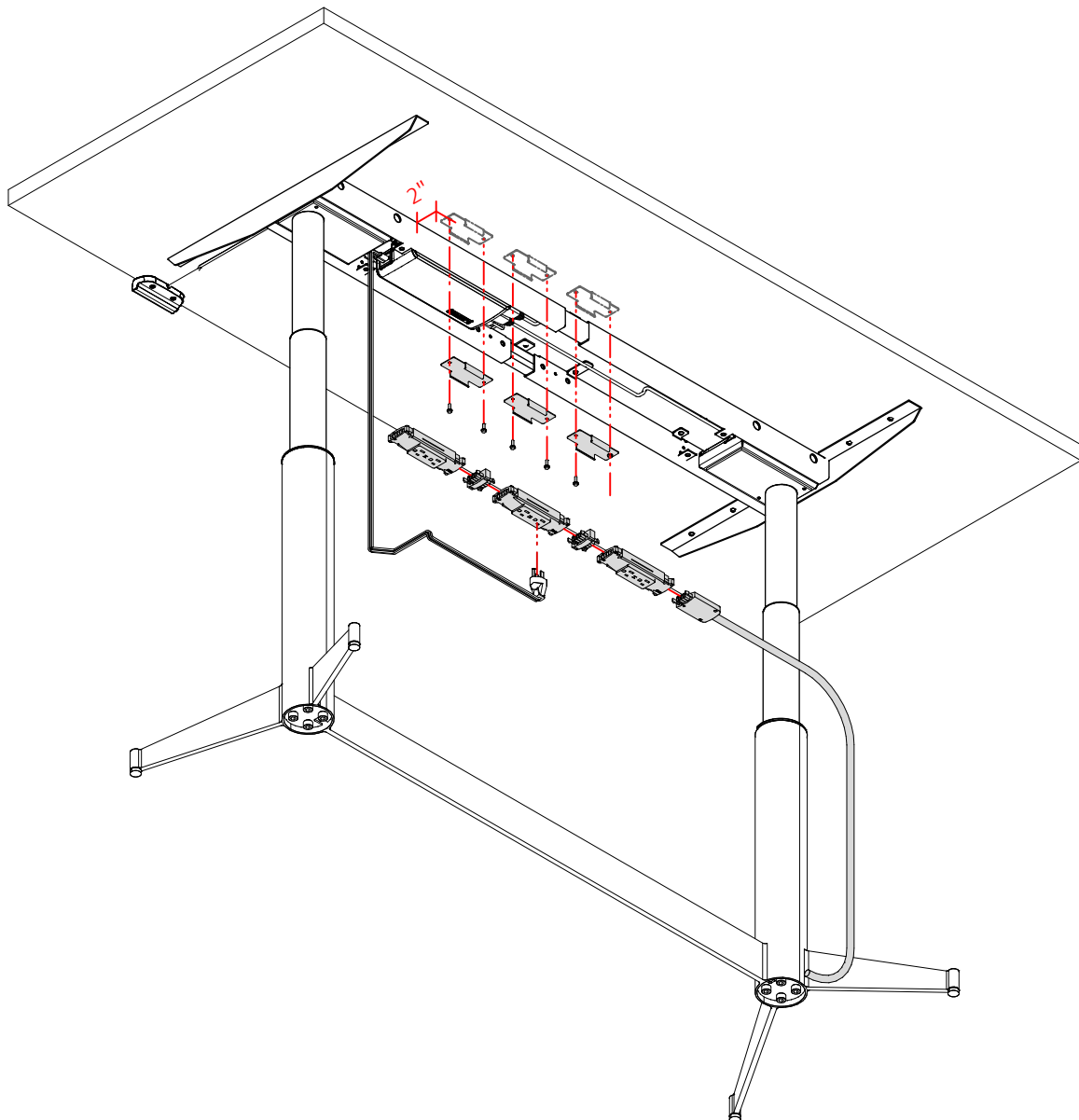
### 3A. Installing Power Strip - Corded

- A. Locate power strip brackets front to back on side of frame opposite where user sits, roughly centered left to right and 2" on center off support beam and attach to underside of table top using screws provided in kit.
- B. Orient power strip cord towards side closest to building power source and slide onto brackets.
- C. Plug height adjustable power unit cord into power strip.



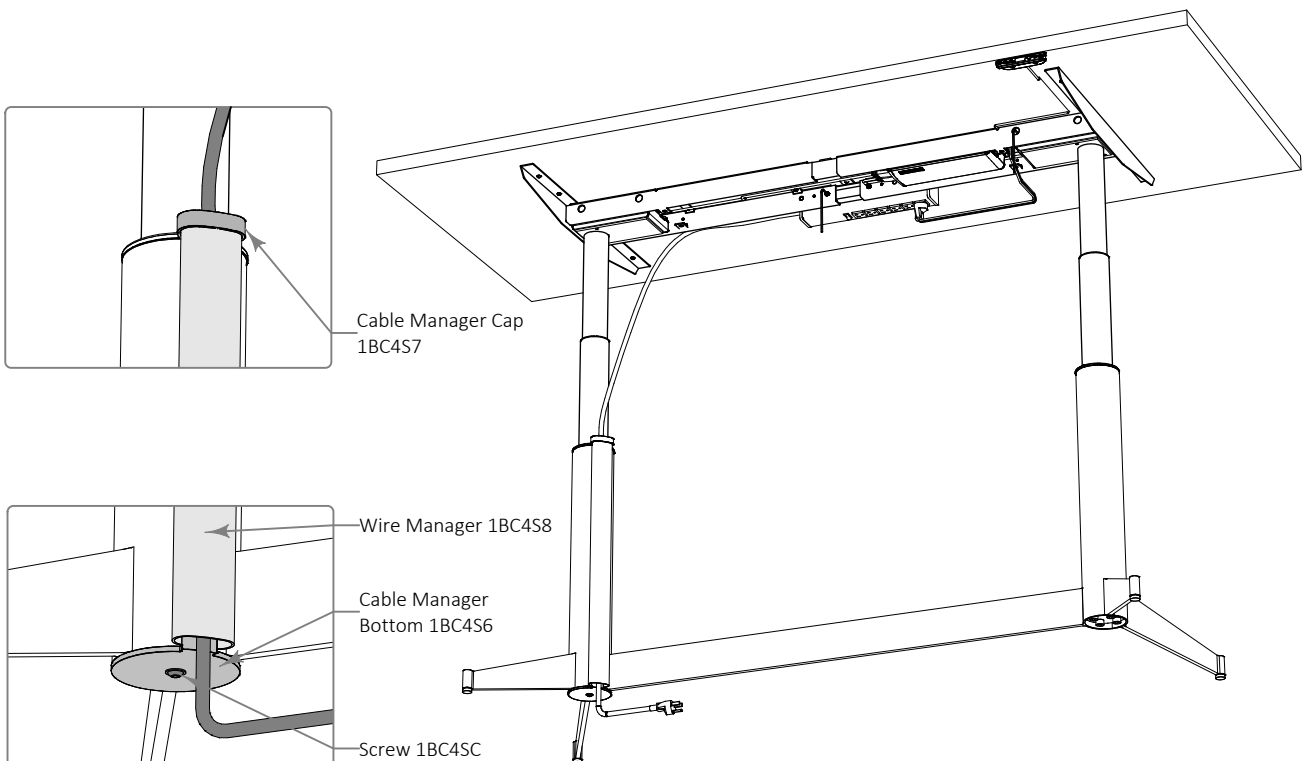
### 3B. Installing Power Strip - Hardwired

- A. Locate power strip brackets front to back on side of frame opposite where user sits, roughly centered left to right and 2" on center off support beam and attach to underside of table top using screws provided in kit. Brackets should be offset 3" on center from one and other.
- B. Interconnect modular power components as shown, with three duplex receptacles, two receptacle interconnectors and hardwire cable.
- C. Orient hardwire cable towards side closest to building power source.
- D. Clip duplex receptacles onto three brackets.
- E. Set table in final position with licensed electrician making final connection to building power source.
- F. Plug height adjustable power unit cord into one of the modular power receptacles.



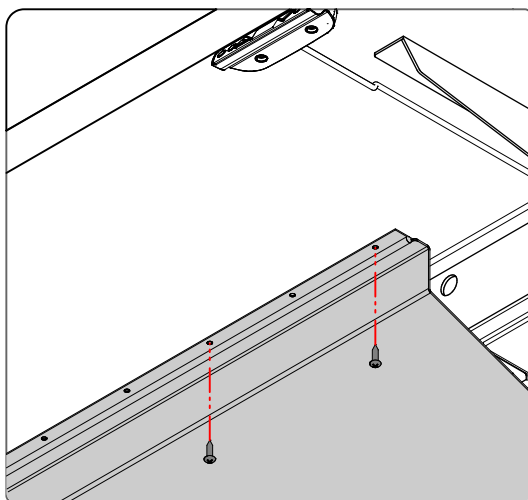
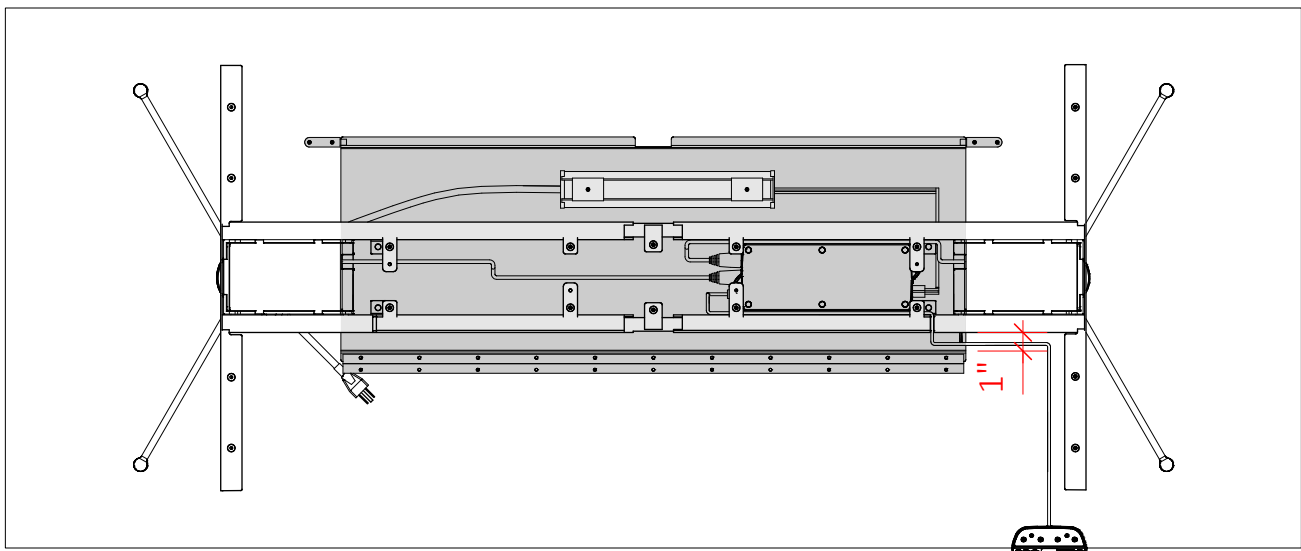
#### 4. Install Cable Manager

- A. Connect corded or hardwired power module to building power source.
- B. Extend height adjustable base to uppermost height.
- C. Clip cable manager cap (Part No. 1BC4S7) into notch in leg cap, making sure power module cable is enclosed within.
- D. Insert wire manager (Part No. 1BC4S8) up and into cable manager cap, covering power module cable .
- E. Align cable manager bottom (Part No. 1BC4S6) with wire manager and fasten to leg using 1/4-20 X 3/4" Flanged Button-Head Socket Cap Screw (Part No. 1BC4SC).
- F. Wrap exposed cable with flexible, fabric cable wrap (Part No. 1BGHHD) and zip closed.

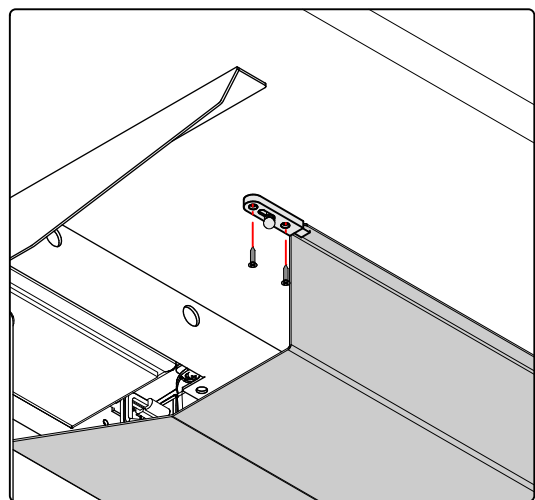


#### 5. Install Trough

- A. Locate trough centered side to side and with 1" clearance between beams and hinge side of trough. Make sure the hinge side faces user.
- B. Attach hinge side of trough to underside of table top using #8 x 5/8" pane head wood screws (Part No. 51238).
- C. Attach latches at both ends of deep end of trough (Part No. 1B8F1H) using (2x) #6 x 5/8" flat head wood screws, (Part No. 50152).



#8 x 5/8" Pan Head Wood Screw (Part No. 51238)



#6 x 5/8" Flat Head Wood Screw (Part No. 50152)