

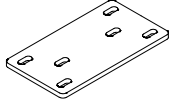

Tuxedo Lounge

1BB3FH

Parts List

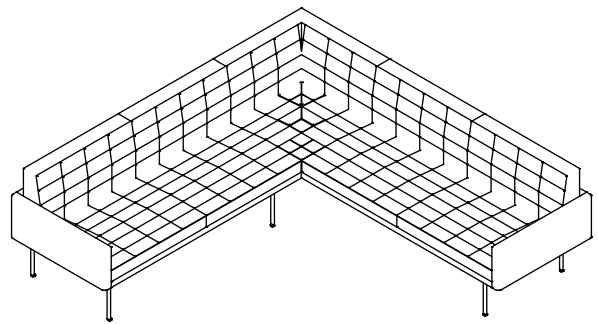
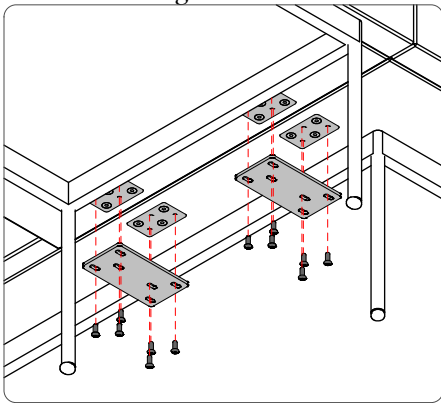
Tools Required

- o Installation drawing of lounge configuration
- o 5/32" hex wrench

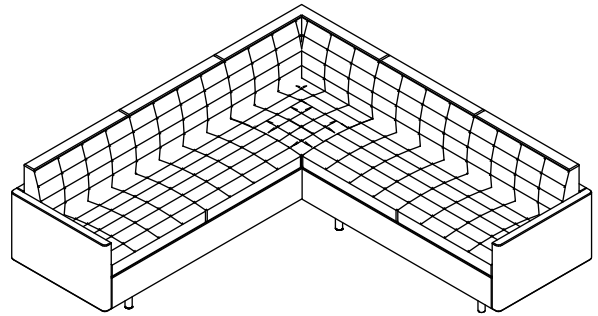
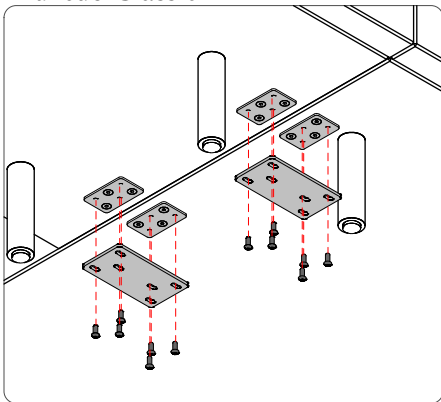
Ganging Bracket 1B9V31 (x2 per joint)	1/4-20 x 5/8" Button Head Screw 1B9SH5 (x12 per joint)
	

View from underside

Tuxedo Lounge



Tuxedo Classic



Tuxedo Lounge with Tray

